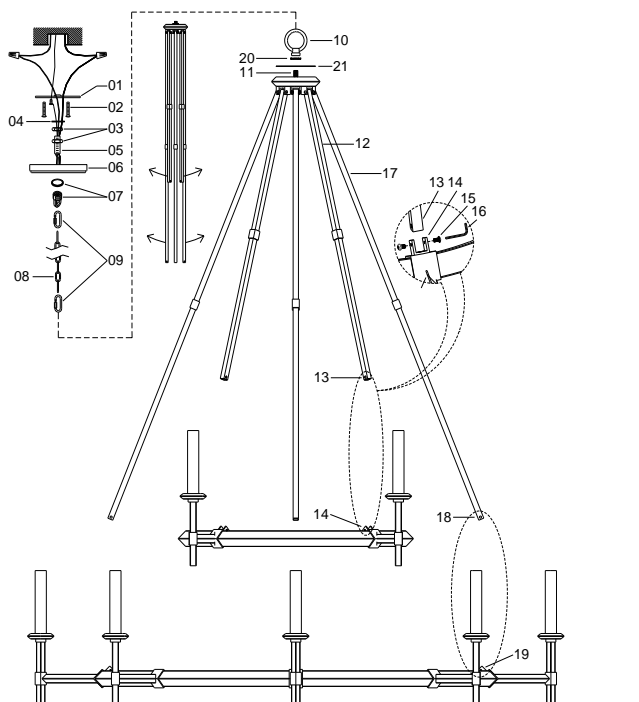




ASSEMBLY AND INSTALLATION INSTRUCTIONS for the **445201** Fixture

Important Safety information (Please read before proceeding)

1. Remove the fixture, parts and all mounting hardware bags (orange) from the carton and verify that all parts are present according to the illustration sheet. All parts must be used as indicated. Do not replace any parts, leave any parts out, or use any parts which are worn out or broken. **Failure to follow the instructions could cause a hazardous situation, voids the warranty and violates the U.L. listing of the fixture.**
2. To prevent the electric shock, turn off the main power at the circuit breaker before installing the fixture. **NEVER attempt to install, clean or replace bulbs without shutting off the electricity to the fixture.**
3. **Never use light bulbs with wattage ratings that exceed the fixtures maximum rating.** Always make sure the electric current is turned off before changing the bulbs.
4. If you experience difficulties installing the lighting fixture or it fails to work as expected, please contact a local qualified licensed electrical contractor.
5. Please contact your local Capital Lighting Fixture reseller with any assembly or installation questions. Your local reseller can also provide you with replacement parts for your new fixture.



Components

1. Mounting Bar w/Green Screw
2. Outlet Box Mounting Screws
3. Hex Nuts
4. Washer
5. Nipple
6. Canopy
7. Threaded Ring & Screw Collar Loop (1/8-27IP)
8. Chain
9. Chain Links
10. Loop
11. Fixture
12. Short Square Rods
13. Round Rod Ends
14. 'U' Equipments of Decor Trim
15. Allan Screws
16. Allan Wrench
17. Long Square Rods
18. Round Rod Ends
19. 'U' Equipments of Decor Trim
20. Checkring
21. Top Distributor Cover

Assembly Instructions for the 445201 fixture

1. Pass lead wire from top tier 'U' Equipment of Decor Trim (14) thru Short Square Rod (12), make sure assembling holes of both Round Rod End (13) and 'U' Equipment of Decor Trim (14) are in line, then secure Round Rod End (13) to 'U' Equipment of Decor Trim (14) with Allan Screw (15) and Allan Wrench (16) carefully.
2. Repeat the same action for other three Short Square Rods (12) without any action for lead wire.
3. Pass lead wire from bottom tier 'U' Equipment of Decor Trim (19) thru Long Square Rod (17), make sure assembling holes of both Round Rod End (18) and 'U' Equipment of Decor Trim (19) are in line, then secure Round Rod End (18) to 'U' Equipment of Decor Trim (19) with Allan Screw (15) and Allan Wrench (16) carefully.
4. Repeat the same action for other three Long Square Rods (17) without any action for lead wire.
5. Pass Lead wire from Top of Fixture (11) thru Top Distributor Cover (21), then pass Top Distributor Cover (21) over nipple end of Fixture top (11). After that, screw Checkring (20) and Loop (10) onto Top Distributor Cover (21) tightly.
6. Take Nipple (5) from parts bag and screw in Screw Collar Loop (7), and run one Hex Nut (3) with Washer (4) down Nipple (5), then screw Nipple (5) into Mounting Bar (1). Mounting Bar (1) must be positioned with extruded thread faced into Outlet Box. Nipple (5) must protrude out the back of Mounting Bar (1).
7. Attach Mounting Bar (1) to Outlet Box with Outlet Box Mounting Screws (2).
8. Unscrew the Threaded Ring from Screw Collar Loop (7). Take Canopy (6) and pass over Screw Collar Loop (7). Approximately one half of the Screw Collar Loop exterior threads should be exposed. Adjust Screw Collar Loop (7) by turning assembly up or down in Mounting Bar (1). Remove Canopy (6).
9. After desired position is found, tighten Nipple (5) with one Hex Nut (3) onto Screw Collar Loop (7) and tighten another Hex Nut (3) with Washer (4) against the Mounting Bar (1).
10. Slip Canopy (6) over Screw Collar Loop (7) and thread on Threaded Ring. Attach Chain (8) and Chain Link (9) with fixture connected to bottom of Screw Collar Loop (7). Unscrew Threaded Ring, let Canopy (6) and Threaded Ring slip down.
11. Pass lead wire and ground wire through chain links no more than 3 inches apart, then pass wires through Threaded Ring, Canopy (6), Screw Collar Loop (7), Nipple (5) and into Outlet Box.
12. Connect two fixture ground wires to the outlet box ground wire with wire connector supplied; connect two common wires (big gauge wire for bottom tier and small gauge wire for top tier) of the lamp cords to the power supply white wire with wire connector supplied; connect two supply wires of the lamp cords to the power supply black wire with wire connector supplied. *Note: This fixture is wired using 2 conductor Lamp cord. The insulation between the two conductors on the lamp cord can be split down the center for better access to the two conductors. The common wire on the lamp cord is identified as the conductor with ribs embossed in the rubber wire insulation.*
13. Raise Canopy (6) to ceiling, verify all wires are securely inside Canopy (6), then secure Canopy (6) in place by tightening Threaded Ring onto